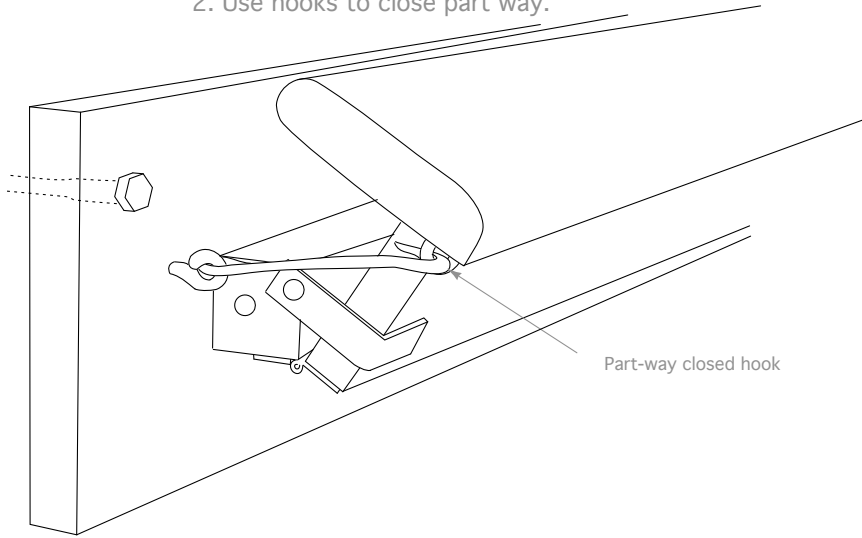


Chuck Close's "Philip Glass" Tapestry Hanging Apparatus Instructions

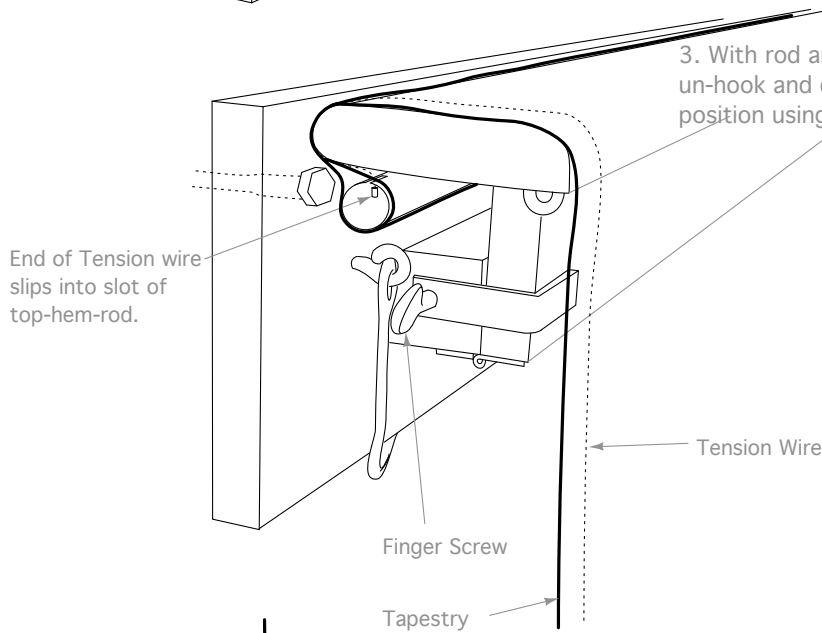
1. Bolt to wall in open position



2. Use hooks to close part way.



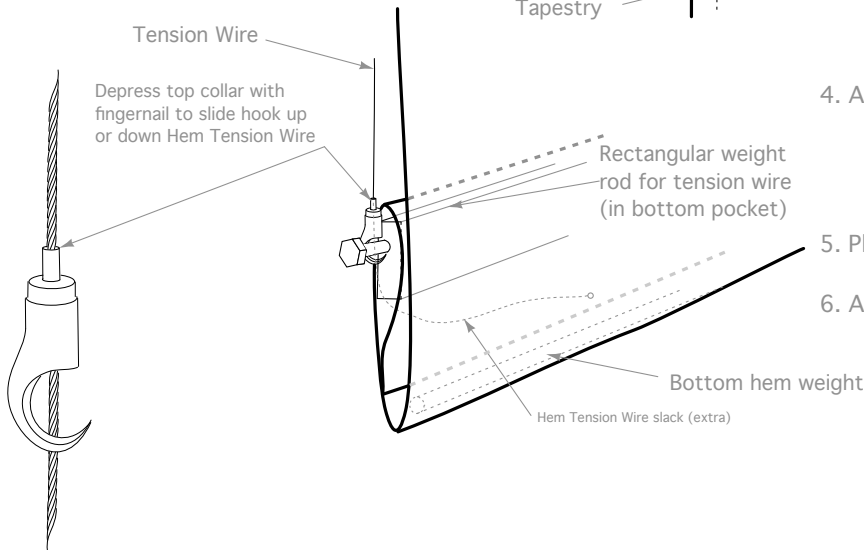
3. With rod and tension wire in place, insert tapestry, un-hook and close hinged "shelf". Secure shelf in closed position using finger screws. (easier said than done).



Tension Wire

Depress top collar with fingernail to slide hook up or down Hem Tension Wire

4. Attach Hem Wire Hook to rectangular weight rod.



5. Place bottom weight rod in bottom hem.

6. Adjust hem height by sliding hook up or down wire.